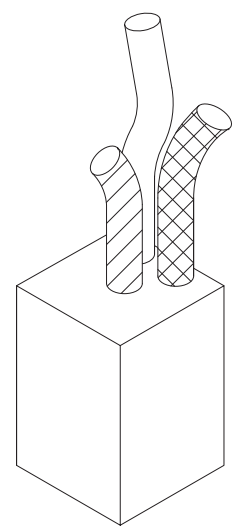
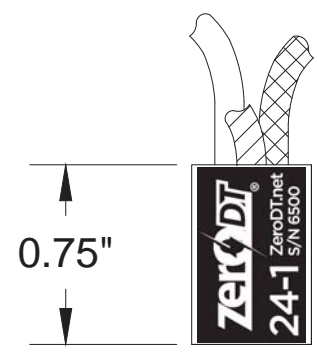


Top View



Right Side View



Front View

16 AWG stranded Cu,
~ 12" long (to allow
cutting to length)

CERTIFICATIONS	
<input type="checkbox"/>	NONE
<input checked="" type="checkbox"/>	UL 121201 (HAZLOC)
<input checked="" type="checkbox"/>	UL 497B
Drawn By:	A.S.
Approved By:	---
Checked By:	---
<small>NOTICE: THIS DRAWING AND THE INFORMATION HEREIN CONTAINED ARE THE PROPERTY OF ZEROOT LLC WHICH HAS FURNISHED HEREIN IN CONFIDENCE WITH THE UNDERSTANDING AND CONDITION THAT THE PERSONS, FIRMS, OR CORPORATIONS RECEIVING THIS DRAWING AND INFORMATION SHALL BY THE ACT OF RECEIVING THEM BE DEEMED TO HAVE AGREED TO USE THIS DRAWING AND INFORMATION EXCLUSIVELY AS A STANDARD PACKAGE AND/OR AS MODIFIED FOR A SPECIFICALLY DESIGNATED PROJECT AND TO RETURN THIS DRAWING PROMPTLY UPON REQUEST.</small>	
<small>CAUTION: TO REDUCE THE RISK OF IGNITION OF HAZARDOUS ATMOSPHERES, DISCONNECT THE DEVICE FROM THE SUPPLY CIRCUIT BEFORE OPENING. KEEP ASSEMBLY TIGHTLY CLOSE WHEN IN OPERATION.</small>	
<small>Install in accordance with the National Electrical Code (NEC) and any applicable local codes* for US panels.</small>	
DATE	3/3/2020
JOB #	ZERODT 24-1
DWG NO.	ZDT-24-1
SHEET	1-1
REV	1
DESCRIP.	SASD, 24V, 1 LOOP (2-WIRE)
CUST. PO #	---
ISSUED	IFC
SCALE	1:1

www.zerodt.net	
10631 S SAM HOUSTON PARKWAY W SUITE 190 HOUSTON, TX 77071 OFFICE: (832) 532-7522 EMAIL: sales@zerodt.net	