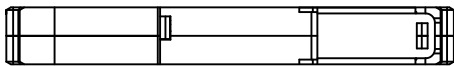


LEFT VIEW

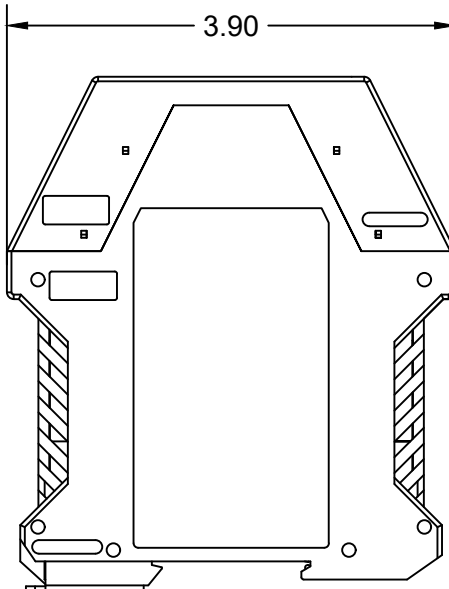
RIGHT VIEW



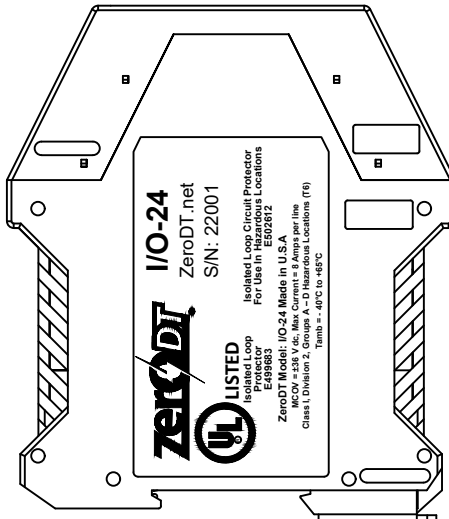
TOP VIEW



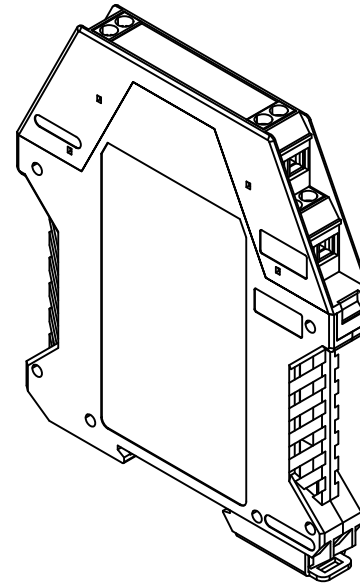
BOTTOM VIEW



BACK VIEW



FRONT VIEW



CERTIFICATIONS

- NONE
- UL 121201 (HAZLOC)
- UL 497B

Drawn By: A.K.C.
 Approved By: R.L.G.
 Checked By: ---

NOTICE:
 THIS DRAWING AND THE INFORMATION
 HEREIN CONTAINED ARE THE PROPERTY
 OF ZERO DT LLC WHICH HAS FURNISHED
 HERE IN CONFIDENCE WITH THE
 UNDERSTANDING AND CONDITION THAT THE
 PERSONS, FIRMS, OR CORPORATIONS
 RECEIVING THIS DRAWING AND INFORMATION
 SHALL BY THE ACT OF RECEIVING THEM BE
 DEEMED TO HAVE AGREED TO USE THIS
 DRAWING AND INFORMATION EXCLUSIVELY
 AS A STANDARD PACKAGE AND/OR AS
 MODIFIED FOR A SPECIFICALLY DESIGNATED
 PROJECT AND TO RETURN THIS DRAWING
 PROMPTLY UPON REQUEST.

CAUTION: TO REDUCE THE RISK OF IGNITION
 OF HAZARDOUS ATMOSPHERES, DISCONNECT
 THE DEVICE FROM THE SUPPLY CIRCUIT
 BEFORE OPENING. KEEP ASSEMBLY TIGHTLY
 CLOSE WHEN IN OPERATION.
 Install in accordance with the National Electrical
 Code (NEC) and any applicable local codes for US
 panels.

DATE	5/24/22
JOB #	ZERODT I/O-24
DWG NO.	ZDT-I/O-24
SHEET	1-1
REV	4
DESCRIP.	SASD, 24V, 2 LOOP (4-WIRE) I/O
DUST. PO #	—
ISSUED	IFC
SCALE	1:1
⚠	—
⚠	—
⚠	—



www.zerodt.net

935 ELDRIDGE ROAD
 SUITE #209
 SUGAR LAND, TX 77478
 OFFICE: (713) 614-5737
 EMAIL: sales@zerodt.net