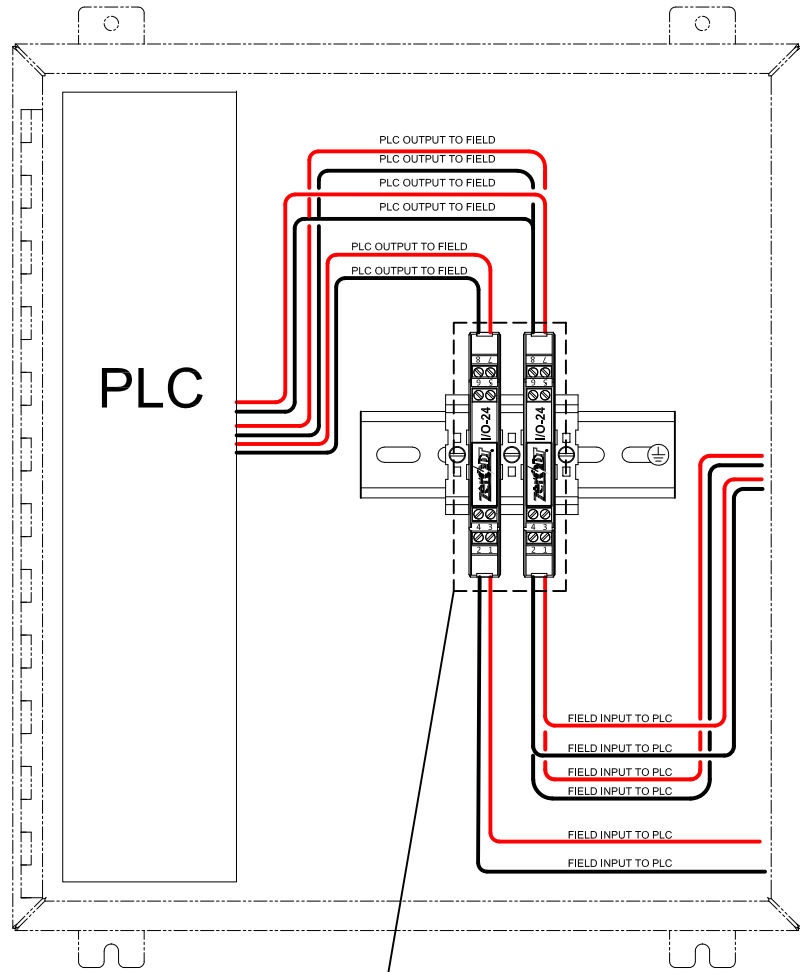


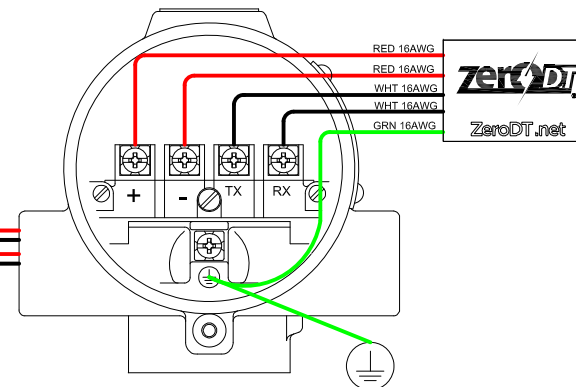
CONTROL CABINET

4 - WIRE DEVICE WIRING

2 - WIRE DEVICE WIRING

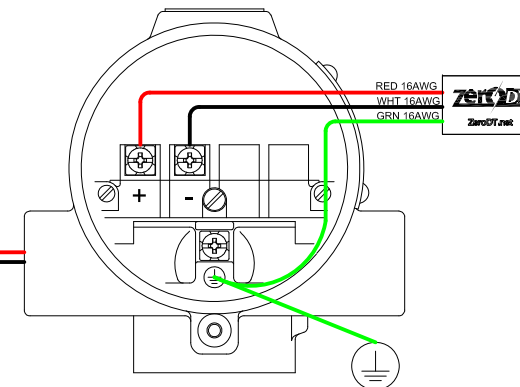


ZeroDT 24-2 / 12-2



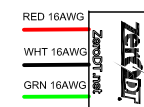
Dual Loop or 4-Wire Devices
ZeroDT 24-2 & ZeroDT 12-2
2 Red Wire (Voltage + or -)
2 White Wire (Voltage + or -)
1 Green Wire (GND)

ZeroDT 24-1 / 12-1

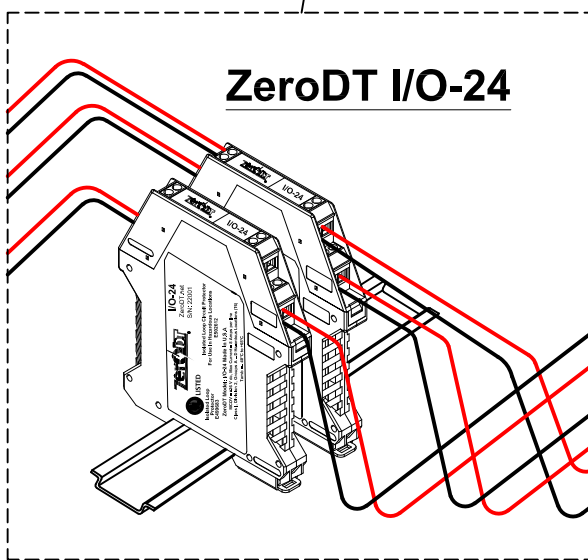
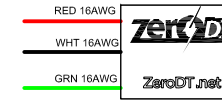


Single Loop or 2-Wire Devices
ZeroDT 24-1, 12-1, 48-1 & 120-1
1 Red Wire (Voltage + or -)
1 White Wire (Voltage + or -)
1 Green Wire (GND)

ZeroDT 48-1



ZeroDT 120-1



ZERDT I/O-24 ISOMETRIC VIEW

****All ZeroDT products are intended for use with low resistance earth ground connection****

CERTIFICATIONS

- NONE
- UL 121201 (HAZ LOC)
- UL 497B

| | |
|--------------|------|
| Drawn By: | S.R. |
| Checked By: | J.N. |
| Approved By: | B.G. |

NOTICE: THIS DRAWING AND THE INFORMATION HEREIN CONTAINED ARE THE PROPERTY OF ZERO DT LLC WHICH HAS FURNISHED HERE IN CONFIDENCE WITH THE UNDERSTANDING AND CONDITION THAT THE PERSONS, FIRMS, OR CORPORATIONS RECEIVING THIS DRAWING AND INFORMATION SHALL BY THE ACT OF RECEIVING THEM BE DEEMED TO HAVE AGREED TO USE THIS DRAWING AND INFORMATION EXCLUSIVELY AS A STANDARD PACKAGE AND/OR AS MODIFIED FOR A SPECIFICALLY DESIGNATED PROJECT AND TO RETURN THIS DRAWING PROMPTLY UPON REQUEST.

CAUTION: TO REDUCE THE RISK OF IGNITION OF HAZARDOUS ATMOSPHERES, DO NOT DISCONNECT THE DEVICE WHILE THE CIRCUIT IS LIVE OR UNLESS THE AREA IS KNOWN TO BE FREE OF IGNITABLE CONCENTRATIONS. Must be installed in accordance with the National Electrical Code (NEC) and the local authorities having jurisdiction.

| | |
|----------|-----------------------------|
| DATE | 8/24/2021 |
| JOB # | XXXX |
| DWG No. | XXXX |
| DESCRIP. | ZERODT PRODUCT INSTALLATION |
| REV | A |
| ISSUED | FOR REFERENCE |
| SCALE | N.T.S. |

NOTES:



EMAIL: SALES@ZERODT.NET

935 ELDRIDGE ROAD
SUITE 209
SUGAR LAND, TX 77478
OFFICE: (713) 614-8737
EMAIL: SALES@ZERODT.NET