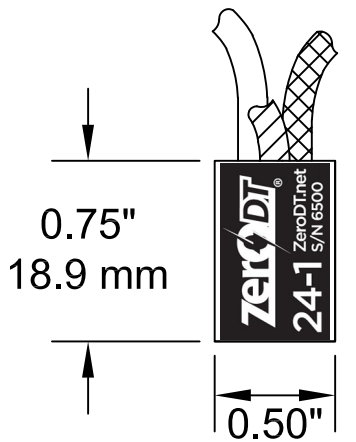
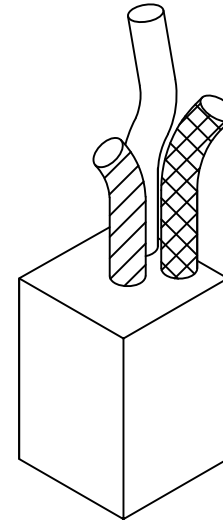
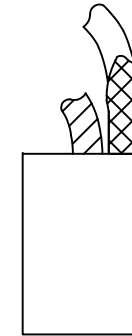


Vista Superior



Vista Frontal

Cables de cobre trenzado 16 AWG de 30 cm (pueden cortarse al largo necesario)



Vista Derecha

CERTIFICATIONS

NONE

UL 121201 (HAZLOC)

UL 497B

Drawn By: A.S.

Approved By: RLG

Checked By: —

NOTICE:
THIS DRAWING AND THE INFORMATION HEREIN CONTAINED ARE THE PROPERTY OF ZERO DT LLC WHICH HAS FURNISHED HEREIN IN CONFIDENCE WITH THE UNDERSTANDING AND CONDITION THAT THE PERSONS, FIRMS, OR CORPORATIONS RECEIVING THIS DRAWING AND INFORMATION SHALL BY THE ACT OF RECEIVING THEM BE DEEMED TO HAVE AGREED TO USE THIS DRAWING AND INFORMATION EXCLUSIVELY AS A STANDARD PACKAGE AND/OR AS MODIFIED FOR A SPECIFICALLY DESIGNATED PROJECT AND TO RETURN THIS DRAWING PROMPTLY UPON REQUEST.

CAUTION: TO REDUCE THE RISK OF IGNITION OF HAZARDOUS ATMOSPHERES, DISCONNECT THE DEVICE FROM THE SUPPLY CIRCUIT BEFORE OPENING. KEEP ASSEMBLY TIGHTLY CLOSE WHEN IN OPERATION.

Install in accordance with the National Electrical Code (NEC) and any applicable local codes* for US panels.

DATE	5/24/22
JOB #	ZERODT 24-1
DWG NO.	ZDT-24-1
SHEET	1-1
REV	2
DESCRIP.	SASD, 24V, 1 LOOP (2-WIRE)
CUST. PO #	—
ISSUED	IFC
SCALE	1:1
⚠	—
⚠	—
⚠	—

ZeroDT

www.zerodt.net

935 ELDRIDGE ROAD
SUITE #209
SUGAR LAND, TX 77478
OFFICE: (713) 614-8737
EMAIL: sales@zerodt.net