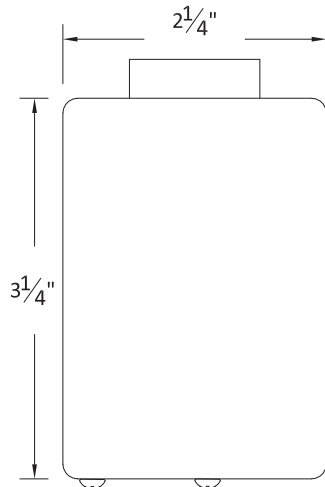
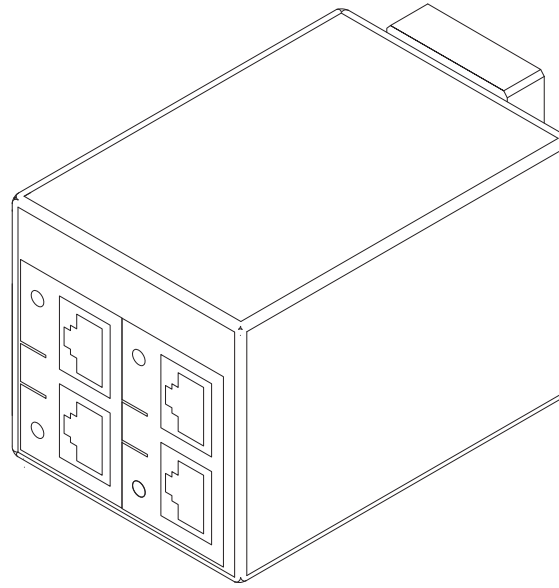


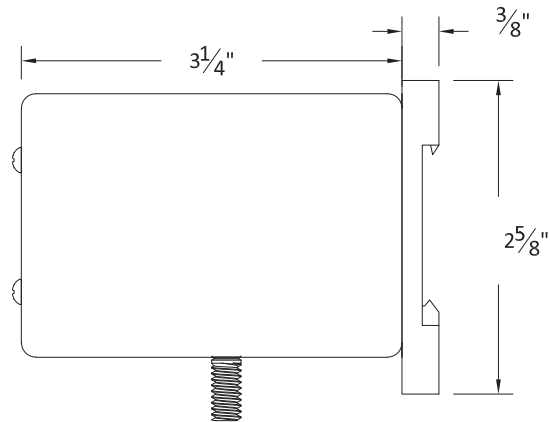
FRONT VIEW




TOP VIEW



ISOMETRIC VIEW



SIDE VIEW

CERTIFICATIONS	
<input checked="" type="checkbox"/>	NONE
<input type="checkbox"/>	UL 121201 (HAZLOC)
<input type="checkbox"/>	UL 497B
Drawn By:	A.S.
Approved By:	R.L.G.
Checked By:	—
<p>NOTICE: THIS DRAWING AND THE INFORMATION HEREIN CONTAINED ARE THE PROPERTY OF ZERODT LLC WHICH HAS FURNISHED HERE IN CONFIDENCE WITH THE UNDERSTANDING AND CONDITION THAT THE PERSONS, FIRMS, OR CORPORATIONS RECEIVING THIS DRAWING AND INFORMATION SHALL BY THE ACT OF RECEIVING THEM BE DEEMED TO HAVE AGREED TO USE THIS DRAWING AND INFORMATION EXCLUSIVELY AS A STANDARD PACKAGE AND/OR AS MODIFIED FOR A SPECIFICALLY DESIGNATED PROJECT AND TO RETURN THIS DRAWING PROMPTLY UPON REQUEST.</p> <p>CAUTION: TO REDUCE THE RISK OF IGNITION OF HAZARDOUS ATMOSPHERES, DISCONNECT THE DEVICE FROM THE SUPPLY CIRCUIT BEFORE OPENING. KEEP ASSEMBLY TIGHTLY CLOSE WHEN IN OPERATION.</p> <p>Install in accordance with the National Electrical Code (NEC) and any applicable local codes* for US panels.</p>	
DATE	4/21/2023
JOB #	ZERODT GB-2
DWG NO.	ZDT-GB-2
SHEET	1-1
REV	1
DESCRIP.	2 LINE GIGABIT ETHERNET
CUST. PO #	—
ISSUED	IFC
SCALE	1:1
⚠	—
⚠	—
⚠	—
	
www.zerodt.net	
935 Eldridge Rd. Suite 209 Sugar Land, TX 77478	
OFFICE: (713) 614-8737 EMAIL: sales@zerodt.net	